



Wheel clips

Application / Challenges

Wheel clips are used on roller conveyors, securing the conveyor wheels in the support profile.

It is vital that assembly and the replacement of the wheels can be carried out quickly, easily and – ideally – without tools. The bearings must be robust with zero play, and secured to ensure they cannot be dislodged. Safe discharge of electrostatic build-up from the wheel shaft to the support profile is a key function, while strong bonding in the connecting parts is just as important as the material's conductive properties.



Solution and material

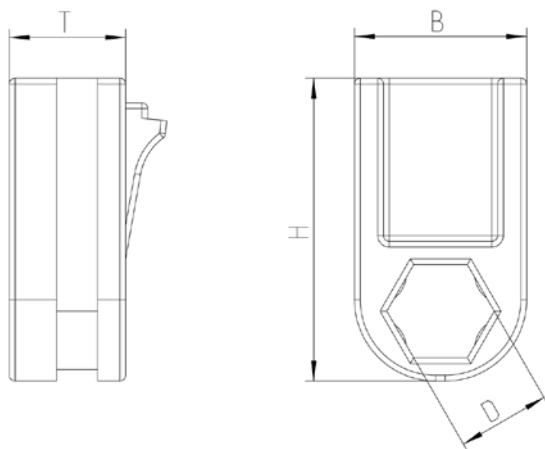
faigle wheel clips are single-part components with a locating hole for the wheel shaft, a groove for inserting it into the support profile, and a catch. They are adapted to the geometries of the wheel shafts and support profiles currently in use, in line with the customer's specifications.

The catch is designed so that the customer can easily feel and hear it click into place; it can also be released without using tools, and will not break even when it is closed and released repeatedly. The hole and the groove have microstructures which mean that the wheel clips rest on the wheel shaft and the support profile with a degree of pretension, which ensures good electrical bonding.

The wheel clips are made from an electroconductive polyamide that stands out for its high mechanical strength.

Customer benefits

- ✓ Easy, tool-free installation and removal
- ✓ Reliable, zero-play support for the conveyor wheels in the support profile
- ✓ Safe discharge of electrostatic build-up
- ✓ Repeated use possible thanks to wear-free function
- ✓ Custom-built to fit your wheel and profile geometry



Specifications

- T 8 – 20mm
- B 10 – 40mm
- H 20 – 60mm
- D 5 – 20mm