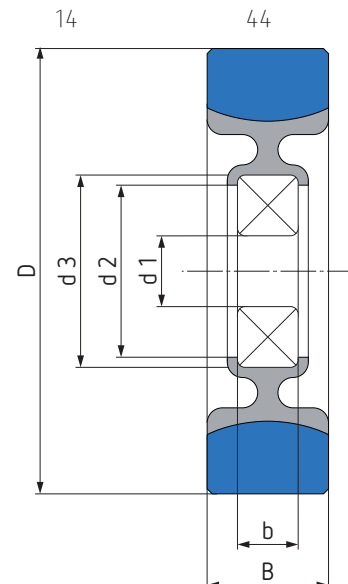
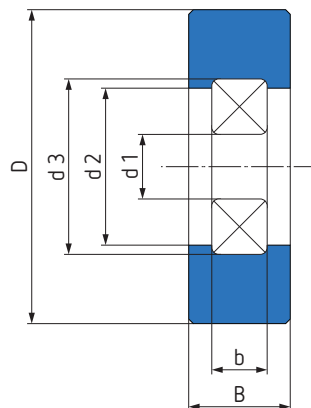


faigle ROLLEN

STANDARDPROGRAMM ESCALATORS

ART.NUMMER BEZEICHNUNG	HÄRTE KUGELLAGER	DIMENSION D	B	d ₁	b	d ₂	d ₃
044.01093 VB-Rolle PAS-PU 70x25 mm	95 Shore A KGL 6204-2RS	70	25	20	14	42	47
044.01057 L-Rolle PAS-PUPA 75x23,5 mm	95 Shore A KGL 6204-2RS	75	23,5	20	14	43	47
044.01111 HD-Rolle PAS-PU 75x23,5 mm	54 Shore D KGL 6006-2RS	75	23,5	30	13	50	55
044.01449 HD-Rolle PAS-PUPA 75x24 mm	54 Shore D KGL 6204-2RS	75	24	20	14	43	47
044.01166 L-Rolle PAS-PUPA 76x22 mm	95 Shore A KGL 6203-2RS	76,2	22	17	12	37	40
044.00873 HD-Rolle PAS-PUPA 76x22 mm	54 Shore D KGL 6204-2RS	76,2	22	20	14	44	47
044.01172 L-Rolle PAS-PUPA 76x25 mm	95 Shore A KGL 6204-2RS	76	25	20	14	43	47
044.01095 VB-Rolle PAS-PU 80x25 mm	95 Shore A KGL 6204-2RS	80	25	20	14	42	47
044.00931 VB-Rolle PAS-PU 80x25 mm	54 Shore D KGL 6006-2RS	80	25	30	13	50	55
044.01097 HD-Rolle PAS-PUPA 100x25 mm	95 Shore A KGL 6204-2RS	100	25	20	14	44	47
044.00896 HD-Rolle PAS-PUPA 100x25 mm	54 Shore D KGL 6204-2RS	100	25	20	14	44	47



Härtegrade 95 +/- 3 Shore A
54 +/- 3 Shore D